

2021 PARTS CATALOG



Parts Orders & Customer Service:

Congratulations on your purchase of a Millennium Boom Product!

Customer satisfaction is our goal, so please contact us if you have any questions or needs with your recent purchase. As always, we stand by our work and impeccable service. Please look to us, Specialty Enterprises, to become the company you rely on for all of your spray boom needs.



How to Order:

Parts orders can be placed by phone Monday - Friday 8:00am - 5:00pm Central. Please call (920) 787-7010 to speak with someone in our parts department.

You can also email your parts orders to: parts@spraybooms.com

Sales & Support Contact Info:

Customer satisfaction has always been our top priority, so please feel free to contact us if you have any questions or needs related to your Millennium spray booms. You can also find answers to commonly asked questions on our [website's FAQ](#), as well as forms you can use to contact our various departments, just visit <http://spraybooms.com>

Parts Sales

(920) 787-7010 ext. 2
parts@spraybooms.com

Boom Sales

(920) 787-7010 ext. 1
sales@spraybooms.com

Field Service & Support

(920) 787-7010 ext. 4
support@spraybooms.com

Specialty Enterprises, LLC - Main Office

PO Box 368
123 Pickle Row
Wautoma, WI 54982

Phone: (920) 787-7010

Fax: (920) 787-7030

Email: info@spraybooms.com

Website: <https://spraybooms.com>

Business hours:

M-Th: 8:00am - 5:00pm

Fri: 8:00am - 4:00pm



Table of Contents

Part I: Primary Section

<i>Boom assembly</i>	1
<i>Primary assembly</i>	2
<i>Lift lug components</i>	3
<i>Shelf rests</i>	4
<i>Breakaway bump stops</i>	5
<i>Cylinder area</i>	6
<i>Cylinder anchor bracket</i>	7
<i>Hinge ears</i>	8
<i>Hinge end</i>	9

Part II: Secondary Section

<i>Secondary assembly</i>	10
<i>Spring & tensioner rod</i>	11
<i>Breakaway end</i>	12

Part III: Breakaway Section

<i>Breakaway assembly</i>	13
<i>Breakaway damper</i>	14

Part IV: Accessories

<i>Bracketry</i>	15-17
<i>Attachment brackets</i>	18
<i>Attachment pins</i>	18
<i>Swing arms</i>	18
<i>Miscellaneous extras</i>	19
<i>Center section boom stops</i>	19
<i>Cradles</i>	20
<i>Hydraulics</i>	20
<i>Spray bars</i>	21-22



Figure 1.11 - 66/132 RH Boom Assy

Total Width	Primary Width	Spacing	On/Off Center	Boom Part #
88'	47'	15	ON	47-88-15N*
90'	47'	15	ON	47-90-15N*
90'	60'	15	ON	60-90-15N
90'	60'	20	ON	60-90-20N
100'	60'	15	ON	60-100-15N
100'	60'	20	ON	60-100-20N
100'	60'	20	OFF	60-100-20F
120'	60'	20	OFF	60-120-20F
120'	66'	10	OFF	66-120-10F
120'	66'	15	ON	66-120-15N
120'	66'	15	ON	66-120-15N**
120'	66'	20	ON	66-120-20N
120'	66'	20	OFF	66-120-20F
120'	66'	20	ON	66-120-20N**
132'	66'	15	ON	66-132-15N
132'	66'	19	ON	66-132-19N
132'	66'	20	OFF	66-132-20F
132'	66'	20	ON	66-132-20N**
132'	66'	22	OFF	66-132-22F

* These booms are designed for a smaller center rack (134")

** These booms are designed for a larger center rack (180")



Figure 1.21 - 66/132 RH Primary Assy

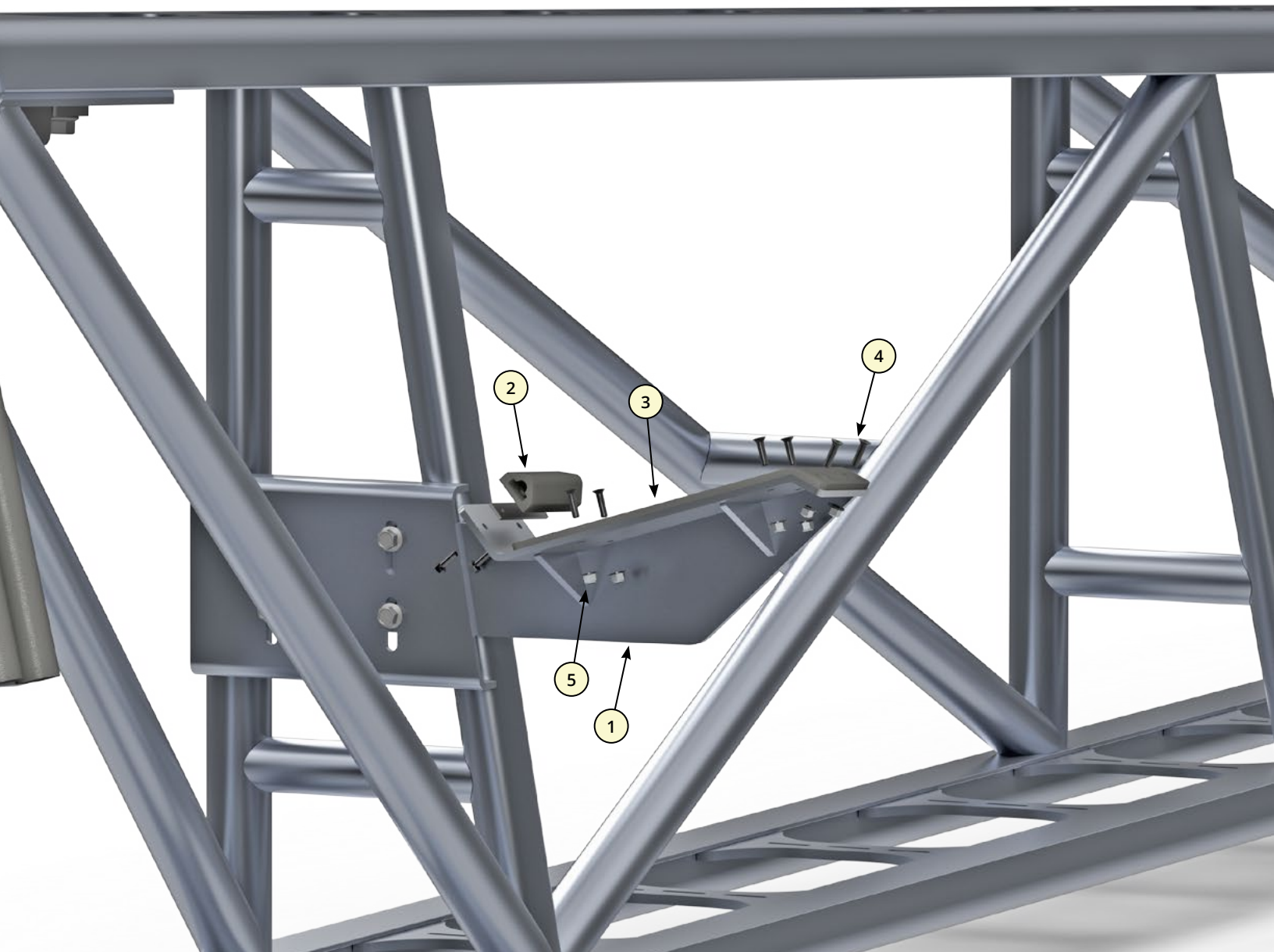
<i>Boom Size</i>	<i>Part # (Left Primary)</i>	<i>Part # (Right Primary)</i>	<i>Qty</i>
47-88-15N	104356	104357	1
47-90-15N	104356	104357	1
60-90-15N	104278-03	104280-03	1
60-90-20N	104278-03	104280-03	1
60-100-15N	104278-01	104280-01	1
60-100-20N	104278-01	104280-01	1
60-120-20F	104278-02	104280-02	1
66-120-10F	104191-07	104192-07	1
66-120-15N	104191-01	104192-01	1
66-120-20N	104191-05	104192-05	1
66-120-20F	104191-02	104192-02	1
66-132-15N	104191-01	104192-01	1
66-132-19N	104191-04	104192-04	1
66-132-20F	104191-02	104192-02	1
66-132-22F	104191-03	104192-03	1
66-132-20N	104191-05	104192-05	1

Note: For Millennium booms built before 2019 please call our parts department for helping finding truss section info.

1.3 - LIFT LUG COMPONENTS

Image	Part #	Description
	101831	LONG LIFT LUG
	101189	SMALL LIFT LUG PLATE
	101159	THICK LIFT LUG PLATE
	103642	APACHE LIFT LUG EAR
	103867	APACHE LIFT LUG EAR
	101209	LIFT LUG SPACERS
	103061	LIFT LUG PIN, SHORT
	103060	LIFT LUG PIN, LONG

Figure 1.41 - RH Primary Shelf Rest (Exploded View)



Ref #	Part #	Description	Qty
NOT SHOWN	102919D	LEFT, 25.44" (L) X 6.61" (H)	1
1	102918D	RIGHT, 25.42" (L) X 6.56" (H)	1
NOT SHOWN	104031/104030D	LEFT, 16.96" (L) X 4.61" (H)	1
NOT SHOWN	104033/104030D	RIGHT, 16.89" (L) X 4.65" (H)	1
NOT SHOWN	104016D	LEFT, 25.46" (L) X 10" (H)	1
NOT SHOWN	104024D	RIGHT, 25.49" (L) X 10" (H)	1
NOT SHOWN	100102D	LEFT, 25.46" (L) X 10" (H)	1
NOT SHOWN	100668D	RIGHT, 25.49" (L) X 6.30" (H)	1
2	AB385A	BUMPER ASSEMBLY (RUBBER BUMPER, METAL INSERT, HARDWARE TO ATTACH)	1
3	100162	REPLACEMENT SHELF PAD	1
4	101765-02	.25-20 X 1.00 BOLT	6
NOT SHOWN	101754-01	.25 WASHER	6
5	102370-02	.25-20 NYLOCK NUT, SS	6

Note: Different boom configurations use different size and shape shelf rests to hold the boom when folded. Please call our parts department for assistance in determining the right shelf rest for your boom, or utilize the following measurements to determine the correct part number. Replacement shelf rests will be shipped with EPDM bumper and shelf pad installed.

1.5 - BKWY BUMP STOPS

Figure 1.51 - RH Bkwy Bump Stop UHMW Pad (*Exploded View*)

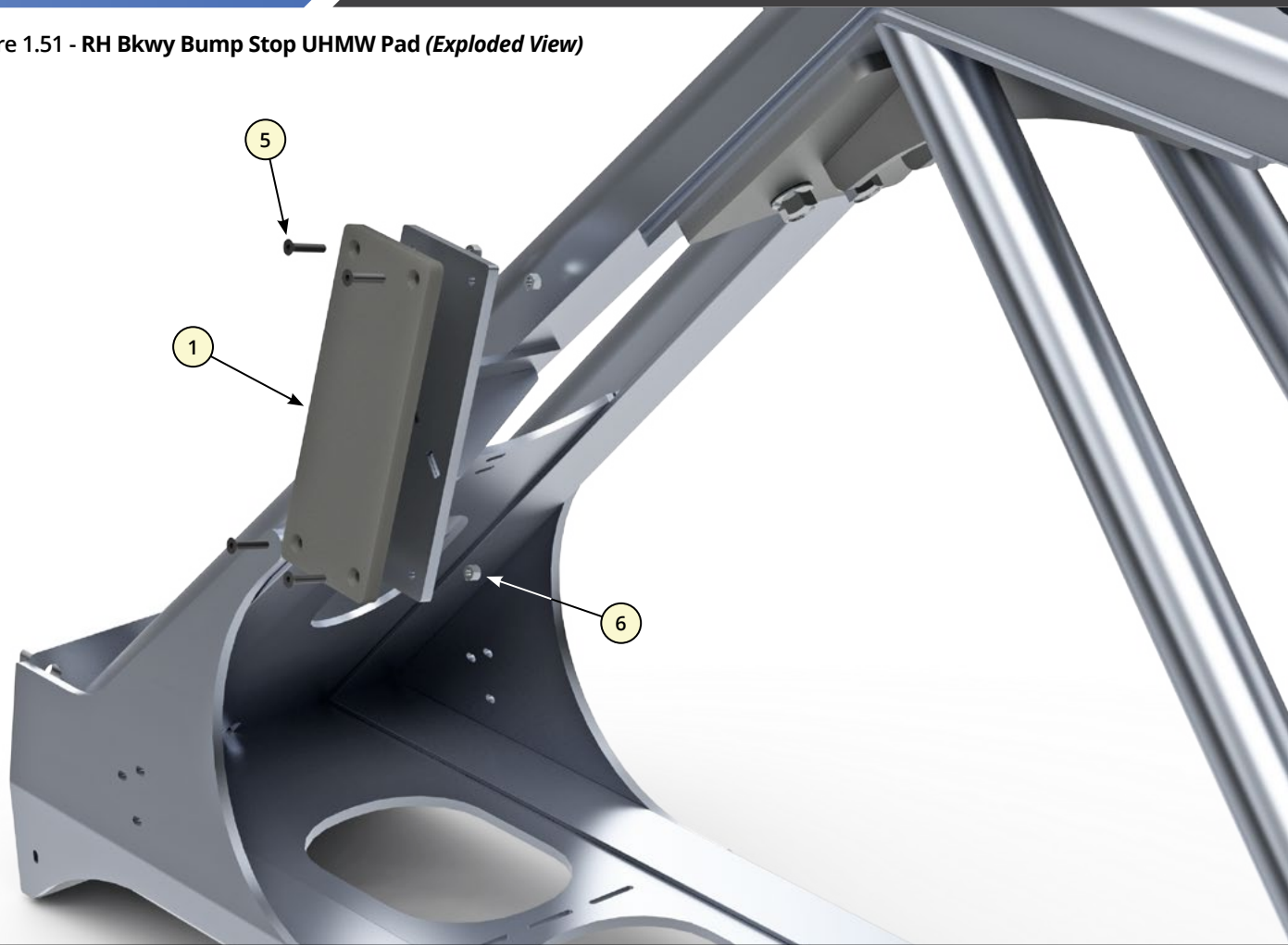
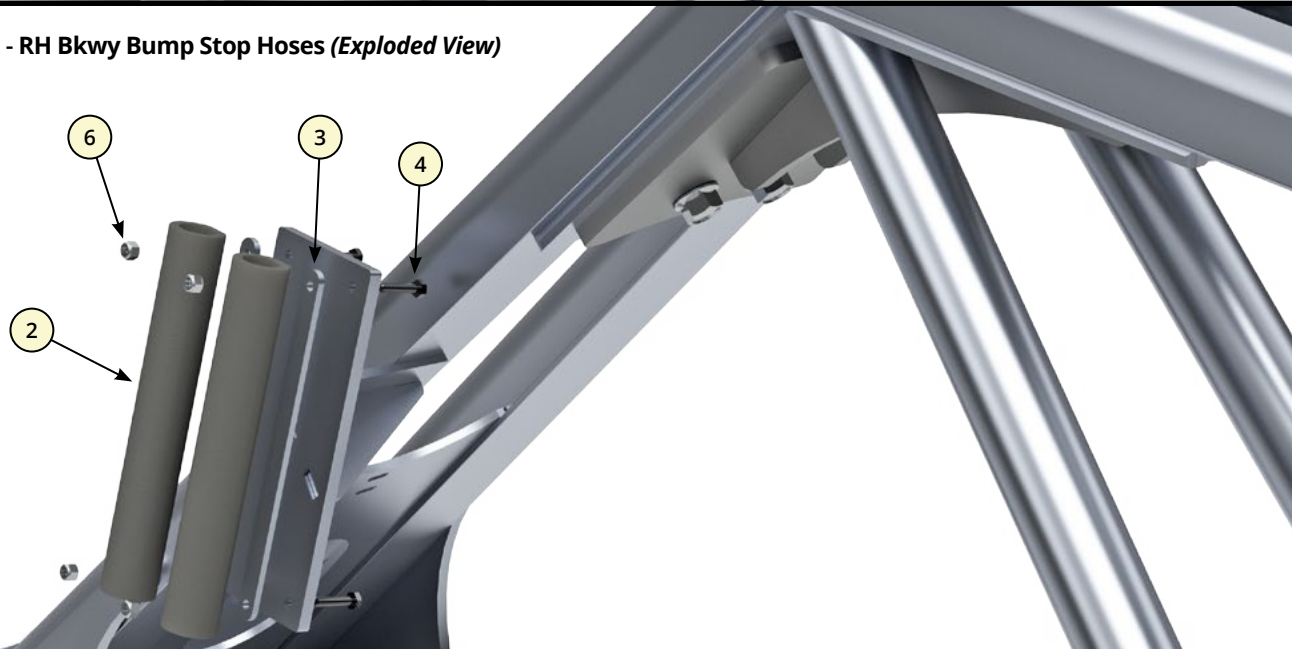


Figure 1.52 - RH Bkwy Bump Stop Hoses (*Exploded View*)



Ref #	Part #	Description	Qty
1	103918	BREAKAWAY BUMP STOP PAD	1
2	104426	BREAKAWAY BUMP STOP HOSE	(2)
3	104435	BREAKAWAY BUMP STOP RETAINER STRIP	(2)
4	101748-04	.25-20X1.25 CSCR	4
5	101765-03	.25-20X1.25 FHTMS	4
6	102370-02	NYLOCK NUTS, SS	4

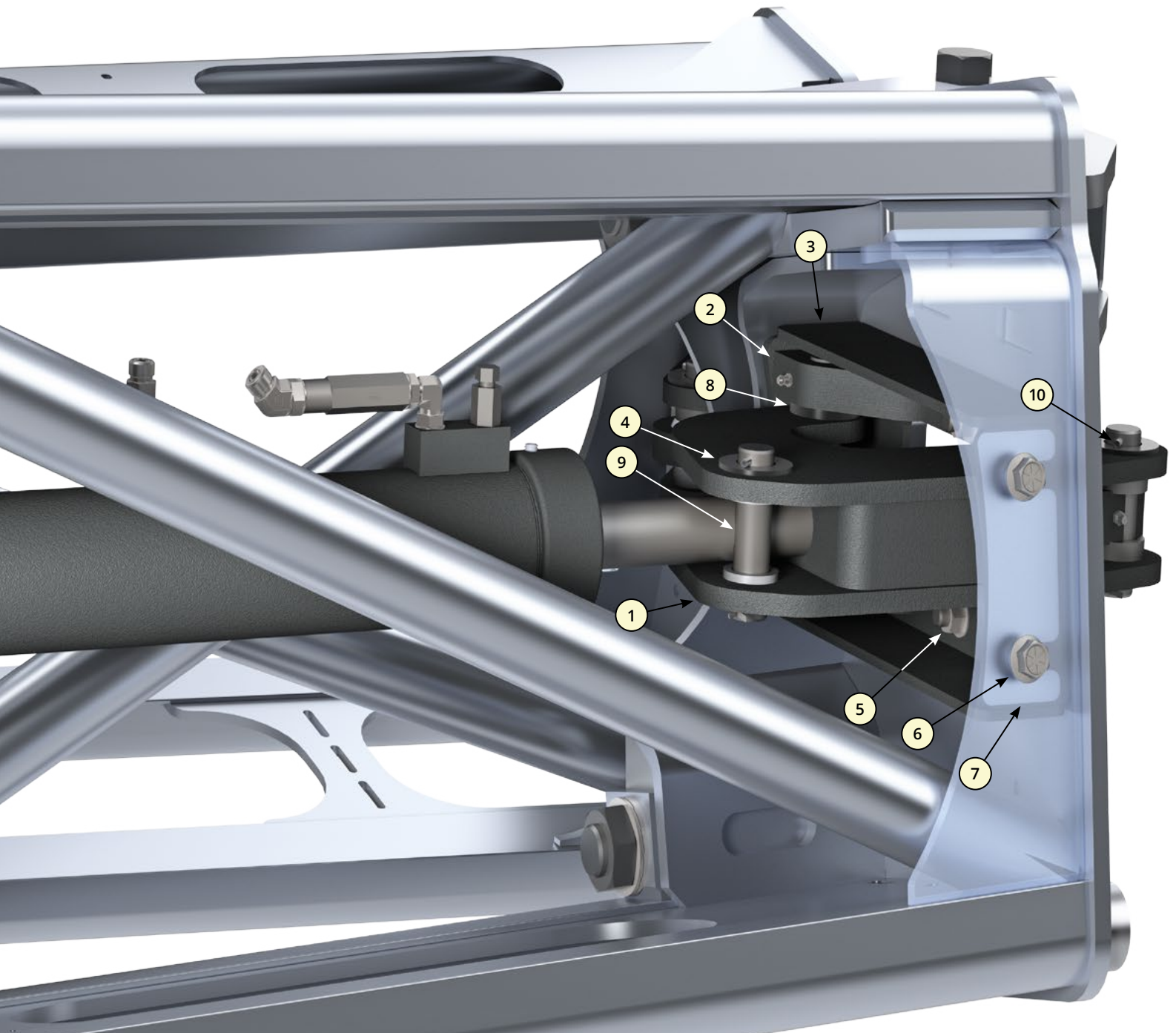


Figure 1.61 - Cylinder Hinge Area (*Booms folded*)

Ref #	Part #	Description	Qty
1	104391	HINGE ARM	1
2	104108	HINGE BOSS	4 (2)
3	104102	HINGE BOX ASSY	1
NOT SHOWN	104106	HINGE BOX ASSY	1
4	101754-10	WASHER, PL 1.00	5
5	101770-05	FLANGE HEAD HEX NUT ½-13	4
6	101769-02	FLANGE HEAD CAP SCREW .50-13 X 1.50	7 (10)
7	104133	SHIM, HINGE BOX	2
8	104212	WASHER, 1.75 X 1.03 X .062 ** SEE GORDY'S COMMENTS **	**
9	104065	PIN 1.00 X 3.88 SS	(3)
10	102140	SPRING PIN, .19 X 1.62	(3)

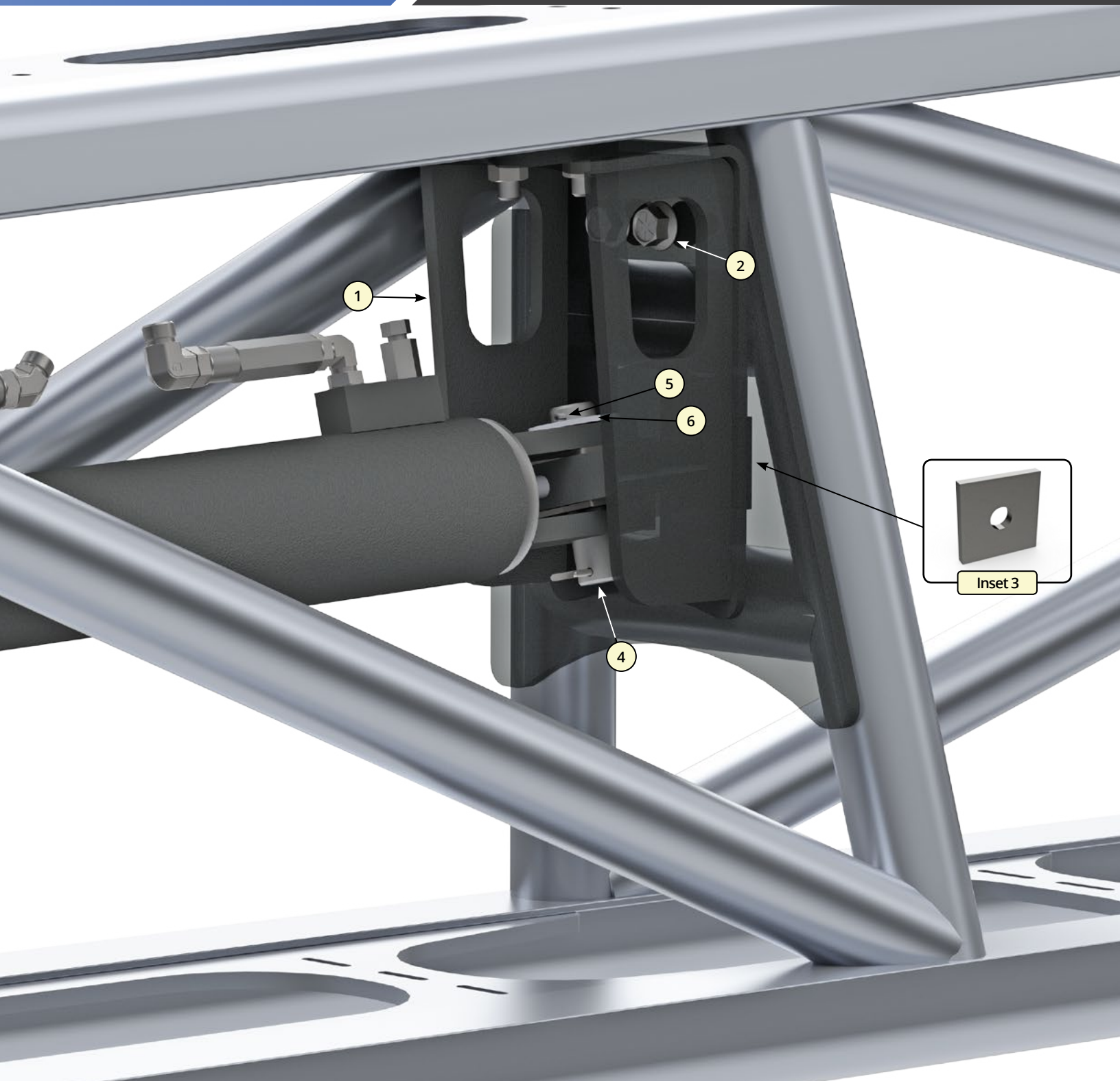


Figure 1.71 - Cylinder Anchor Bracket

Ref #	Part #	Description	Qty
1	103926	CYLINDER ANCHOR BRACKET (**MAY ALSO BE PART 103886)	1
NOT SHOWN	103930	CYLINDER ANCHOR BRACKET (**MAY ALSO BE PART 103890)	4
2	101769-02	CAPSCREW .50-13 X 1.50	4
3 (INSET)	101966	WASHER, SQ 2.0 X .25	2
4	104065	PIN, 1.00 X 3.88 SS	1
5	102140	SPRING PIN, .19 X 1.62	1
6	101754-10	WASHER 1.0	1

1.8 - PRIMARY SECTION

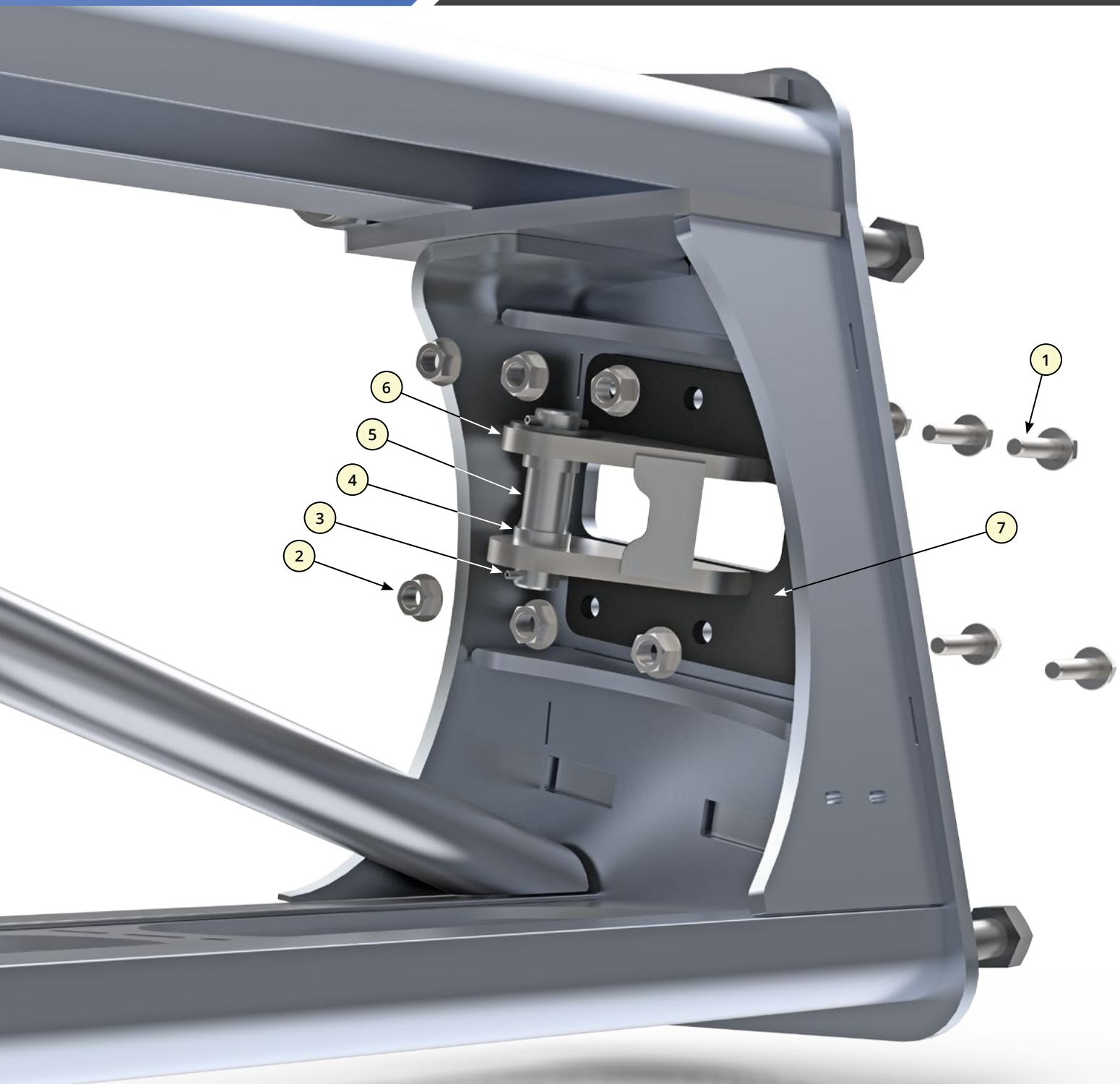


Figure 1.81 - Secondary hinge ears (exploded view)

Ref #	Part #	Description	Qty
1	101769-12	FLG HD CAPSCREW, .50 - 13 X 1.75 G8	6
2	101770-05	FNUT 1/2-13 G8	6
3	102140	SPRING PIN, .19 X 1.62 SS	2
4	101144	WASHER, 1.25 X 1.01 X .309	2
5	104065	PIN 1.00 X 3.88 SS	1
6	103966	EAR ASSY, HINGE	1
NOT SHOWN	104069	EAR ASSY, OPPOSITE	1
NOT SHOWN	104102	HINGE BOX ASSY, LH BOOM	1
7	104106	HINGE BOX ASSY, RH BOOM	1

1.9 - PRIMARY SECTION

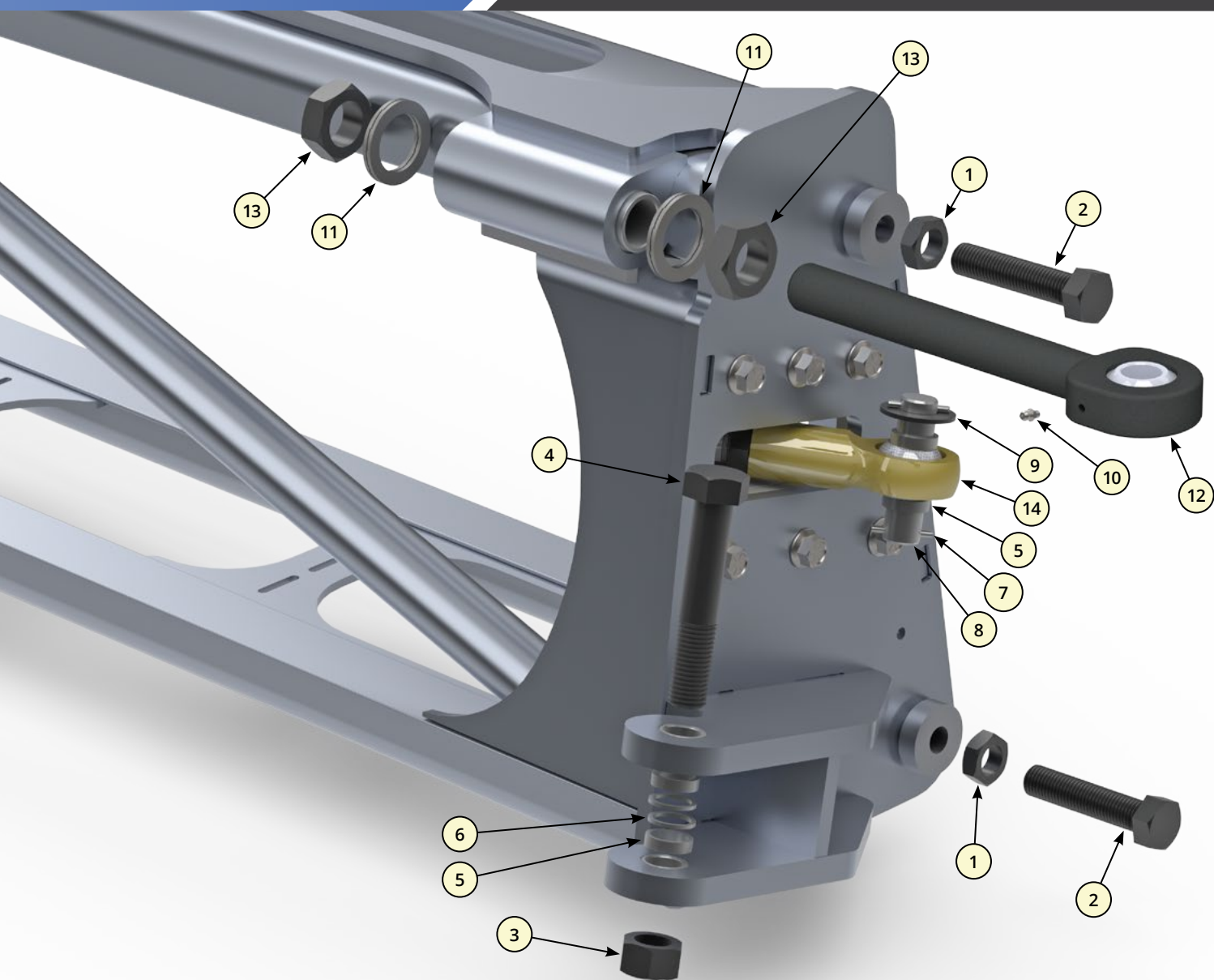


Figure 1.91 - Secondary hinge end (exploded view)

Ref #	Part #	Description	Qty
1	101758-09	JAM NUT 7/8-9	2
2	101766-05	CAPSCREW .88-9 X 3.50 G8	2
3	101753-10	TOP LOCK NUT 1.0-8	1
4	101768-09	CAPSCREW 1.00-8 X 5.50 G8	1
5	101144	WASHER, 1.25 X 1.01 X .309	4
6	101142	WASHER, 1.25 X 1.01 X .103	2
7	102140	SPRING PIN .19 X 1.62 SS	2
8	104065	PIN, 1.00 X 3.88 SS	1
9	101754-10	WASHER, PLAIN 1.00	1
10	101767	FITTING, GREASE ST 1/4-28	2
11	101760-11	WASHER, NORD-LOCK 1.50	2
12	103168	ROD END, HINGE RH	1
13	101942-11	JAM NUT 1.25-12 UNF-2B	1
NOT SHOWN	101135	MALE THREADED BALL JOINT	1
	101136	FEMALE THREADED BALLJOINT	1

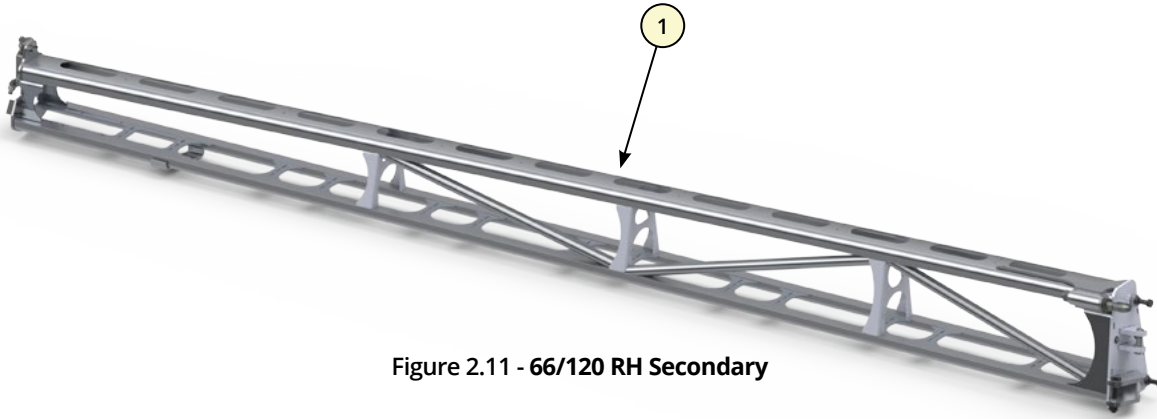


Figure 2.11 - 66/120 RH Secondary

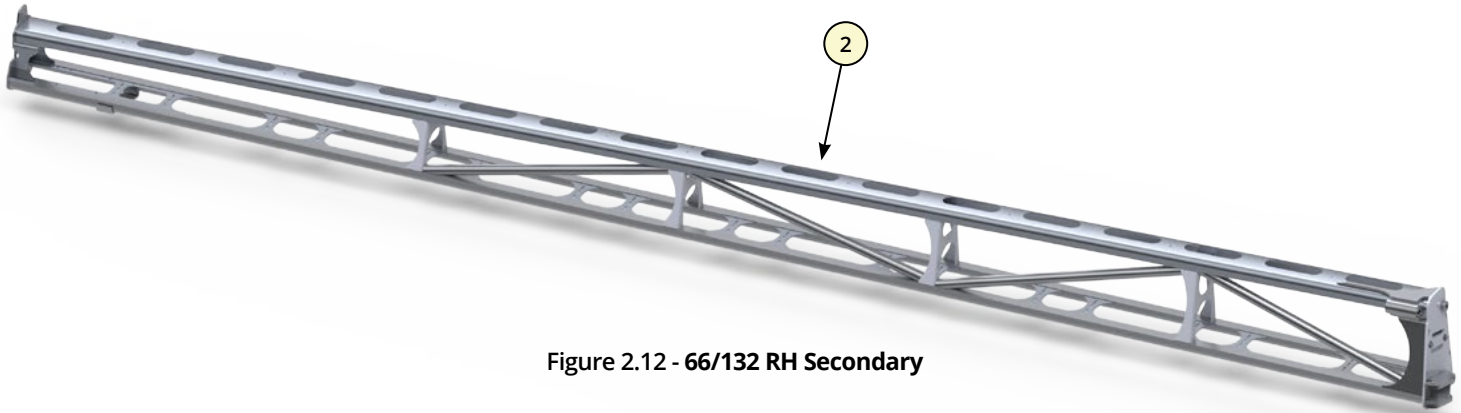


Figure 2.12 - 66/132 RH Secondary

Ref #	Part #	Description	Qty
NOT SHOWN	104186-04	SECONDARY, 66-120, 10F, LH	1
NOT SHOWN	104185-04	SECONDARY, 66-120, 10F, RH	1
1	104186-01	SECONDARY, 66-120, 15N, LH	1
NOT SHOWN	104185-01	SECONDARY, 66-120, 15N, RH	1
NOT SHOWN	104186-02	SECONDARY, 66-120, 20F, LH	1
NOT SHOWN	104185-02	SECONDARY, 66-120, 20F, RH	1
NOT SHOWN	104186-03	SECONDARY, 66-120, 20N, LH	1
NOT SHOWN	104185-03	SECONDARY, 66-120, 20N, RH	1
NOT SHOWN	104184-01	SECONDARY, 66-132, 15N, LH	1
2	104183-01	SECONDARY, 66-132, 15N, RH	1
NOT SHOWN	104184-04	SECONDARY, 66-132, 19N, LH	1
NOT SHOWN	104183-04	SECONDARY, 66-132, 19N, RH	1
NOT SHOWN	104184-02	SECONDARY, 66-132, 20F, LH	1
NOT SHOWN	104183-02	SECONDARY, 66-132, 20F, RH	1
NOT SHOWN	104220	SECONDARY, 66-132, 20N, LH	1
NOT SHOWN	104221	SECONDARY, 66-132, 20N, RH	1
NOT SHOWN	104184-03	SECONDARY, 66-132, 22F, LH	1
NOT SHOWN	104183-03	SECONDARY, 66-132, 22F, RH	1

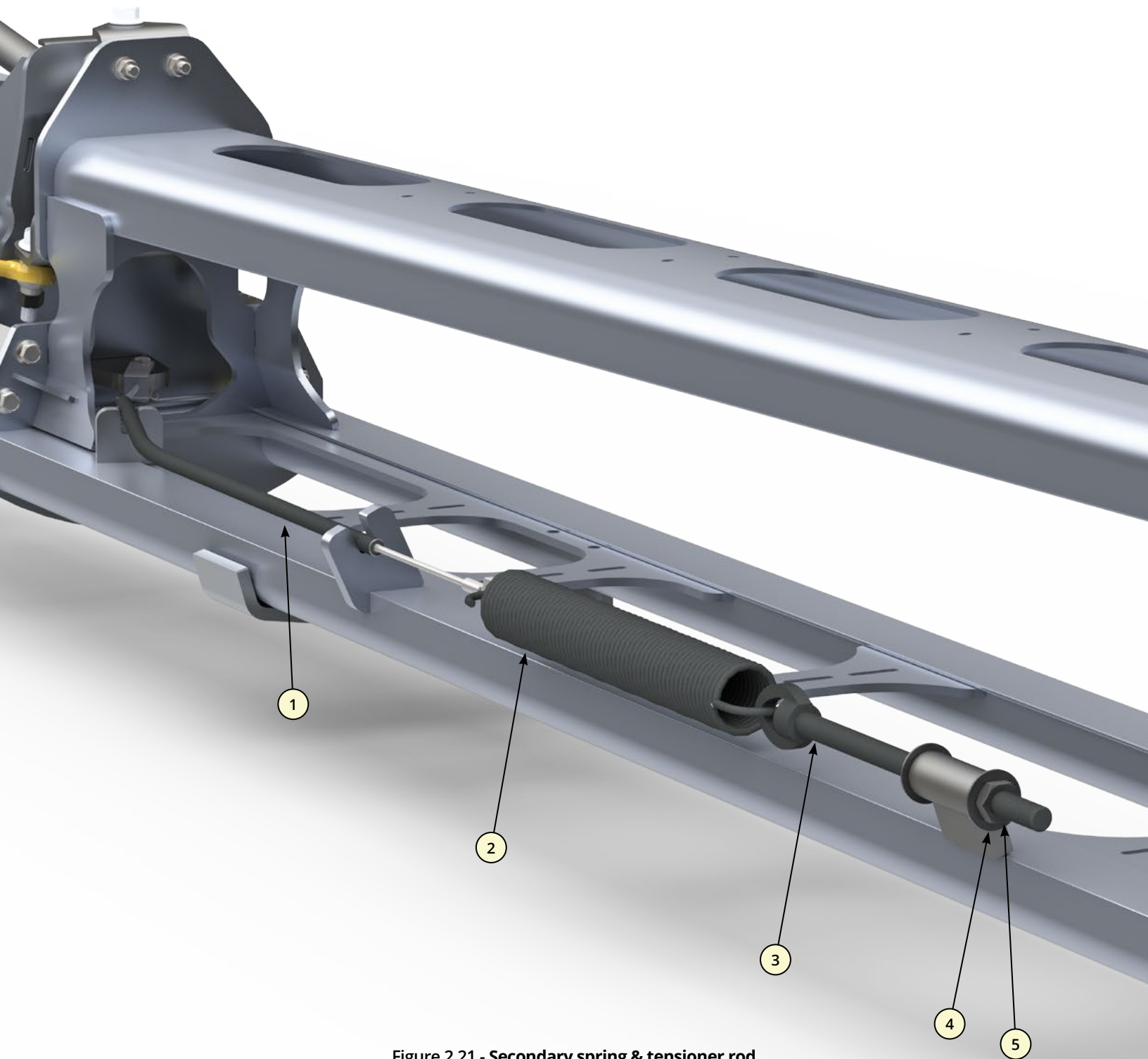


Figure 2.21 - Secondary spring & tensioner rod

Ref #	Part #	Description	Qty
1	100166L	CABLE, BREAKAWAY CONTROL	1
2	160939	SPRING, BREAKAWAY	1
3	AB414A	CABLE TENSIONER ASSY	1
4	101754-07	WASHER, PLAIN 5/8	2
5	101758-07	JAM NUT 5/8 - 11	2

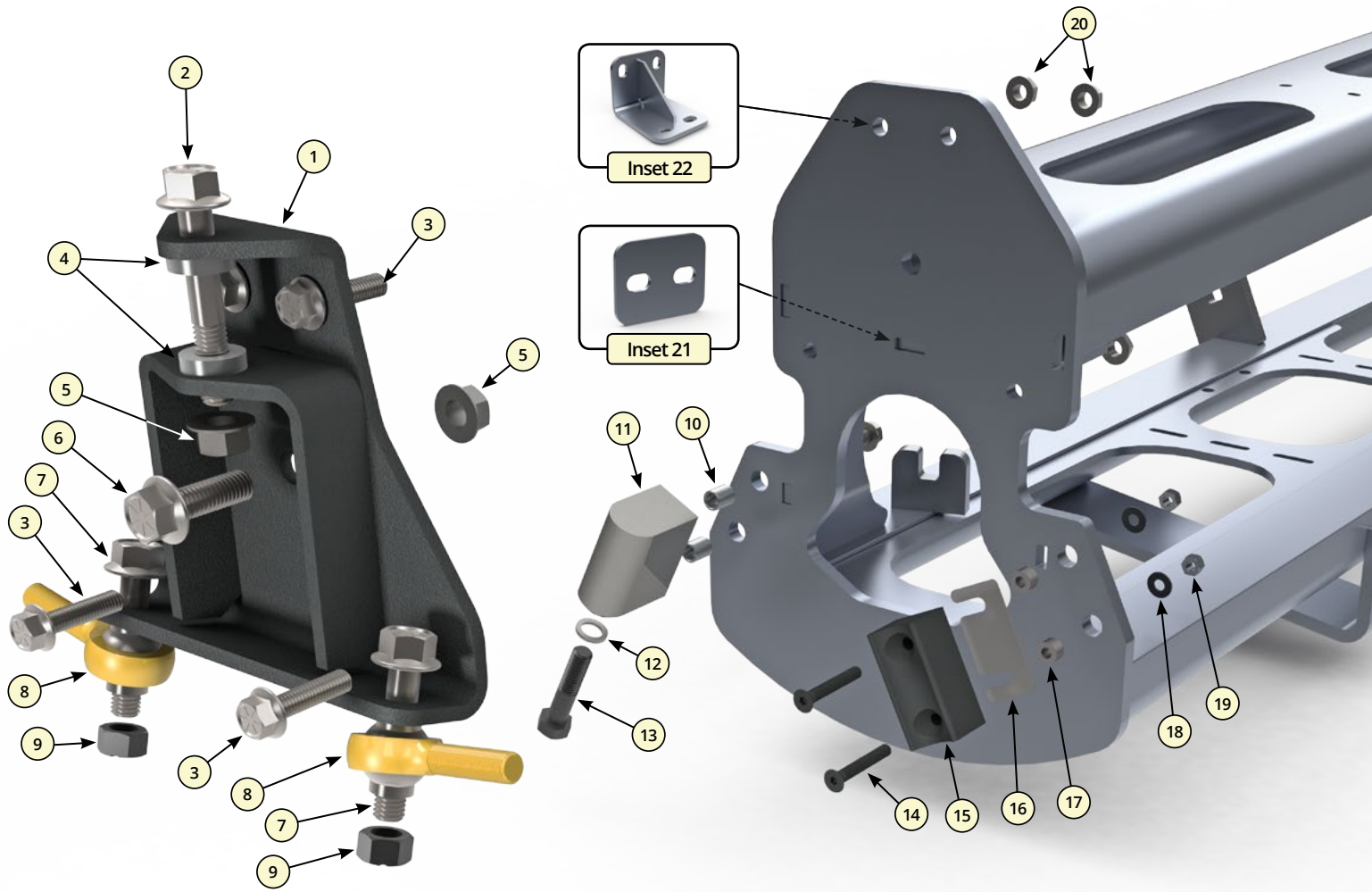


Figure 2.31 - Secondary breakaway end (exploded view)

Ref #	Part #	Description	Qty
1	102078	SCNDRY HINGE BRKT ASSY	1
2	101769-06	FHCS .50-13 X 3.00 G8	1
3	101772-03	FHCS 3/8-16 X 1.50 G8	2
4	101795	SPACER, 1.00 OD X .50 ID X .25	2
5	101770-05	FNUT 1/2-13 G8	2
6	101769-02	FHCS .50-13 X 1.50 G8	1
7	101769-04	FHCS .50-13 X 2.50 G8	2
8	101798	ROD END, LWR BALL JOINT	2
9	101753-03	TOP LOCK NUT 1/2-13"	2
10	101796	DOWEL, ALIGNMENT	2
11	101792	BLOCK, LWR PIVOT MTG	1
12	101760-05	WASHER, NORD-LOCK 1/2"	1
13	101751-08	CAPSCREW .50-13 X 2.25 G8	1
14	101765-10	FHTMS .25-20 X 1.75	2
15	101793	BLOCK, STOP	1
16	101799	SHIM. STOP BLOCK	1
17	101850	SPACER, .50 X .25 X .31 NY	2
18	101754-01	WASHER, PLAIN 1/4"	2
19	102370-02	NYLOCK NUT, .25-20 SS	2
20	101770-03	FNUT 3/8-16 G8	2
21 (INSET)	104298	BRACKET, END PLATE	1
22 (INSET)	103943	PLATE, BACKING	1

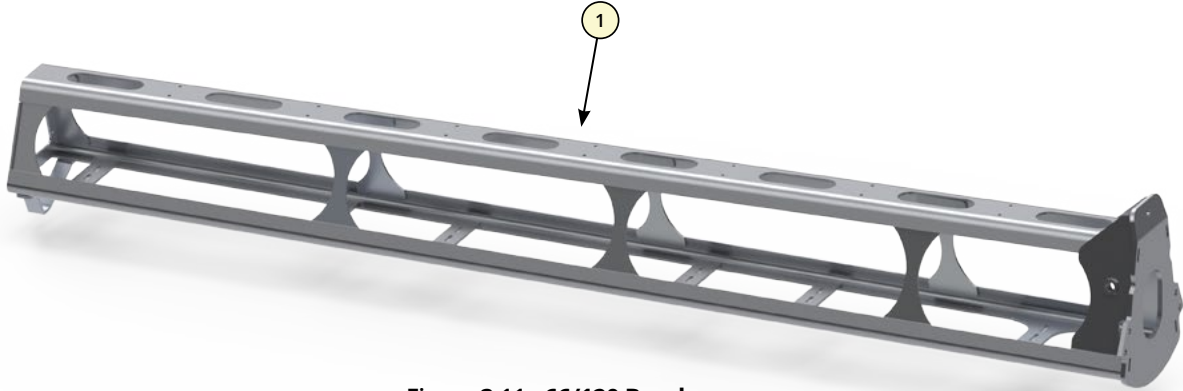


Figure 3.11 - 66/120 Breakaway

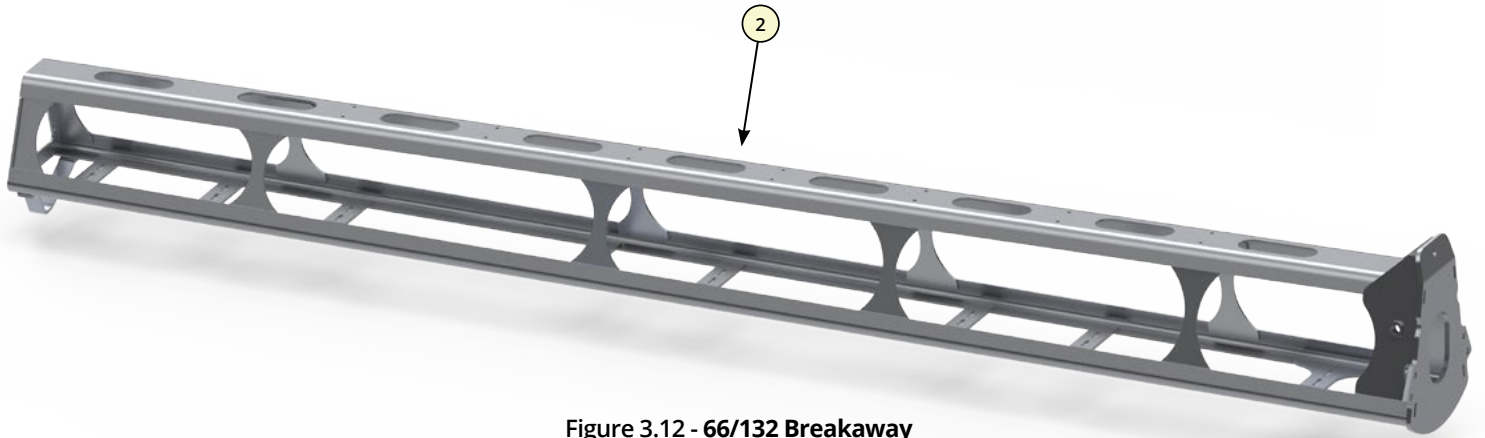


Figure 3.12 - 66/132 Breakaway

Ref #	Part #	Description	Qty
NOT SHOWN	104197-09	BREAKAWAY, ??-???, 10F, LH	1
NOT SHOWN	104196-09	BREAKAWAY, ??-???, 10F, RH	1
NOT SHOWN	104197-10	BREAKAWAY, 66-120, 15N, LH* LARGE RACK	1
NOT SHOWN	104196-10	BREAKAWAY, 66-120, 15N, RH* LARGE RACK	1
NOT SHOWN	104197-01	BREAKAWAY, 66-120, 15N, LH	1
1	104196-01	BREAKAWAY, 66-120, 15N, RH	1
NOT SHOWN	104197-06	BREAKAWAY, 66-120, 20N, LH	1
NOT SHOWN	104196-06	BREAKAWAY, 66-120, 20N, LH	1
NOT SHOWN	104197-02	BREAKAWAY, 66-120, 20F, LH	1
NOT SHOWN	104196-02	BREAKAWAY, 66-120, 20F, RH	1
NOT SHOWN	104197-03	BREAKAWAY, 66-132, 15N, LH	1
2	104196-03	BREAKAWAY, 66-132, 15N, RH	1
NOT SHOWN	104197-07	BREAKAWAY, 66-132, 19N, LH	1
NOT SHOWN	104196-07	BREAKAWAY, 66-132, 19N, RH	1
NOT SHOWN	104197-04	BREAKAWAY, 66-132, 20F, LH	1
NOT SHOWN	104196-04	BREAKAWAY, 66-132, 20F, RH	1
NOT SHOWN	104197-05	BREAKAWAY, 66-132, 22F, LH	1
NOT SHOWN	104196-05	BREAKAWAY, 66-132, 22F, RH	1

3.2 - BREAKAWAY SECTION

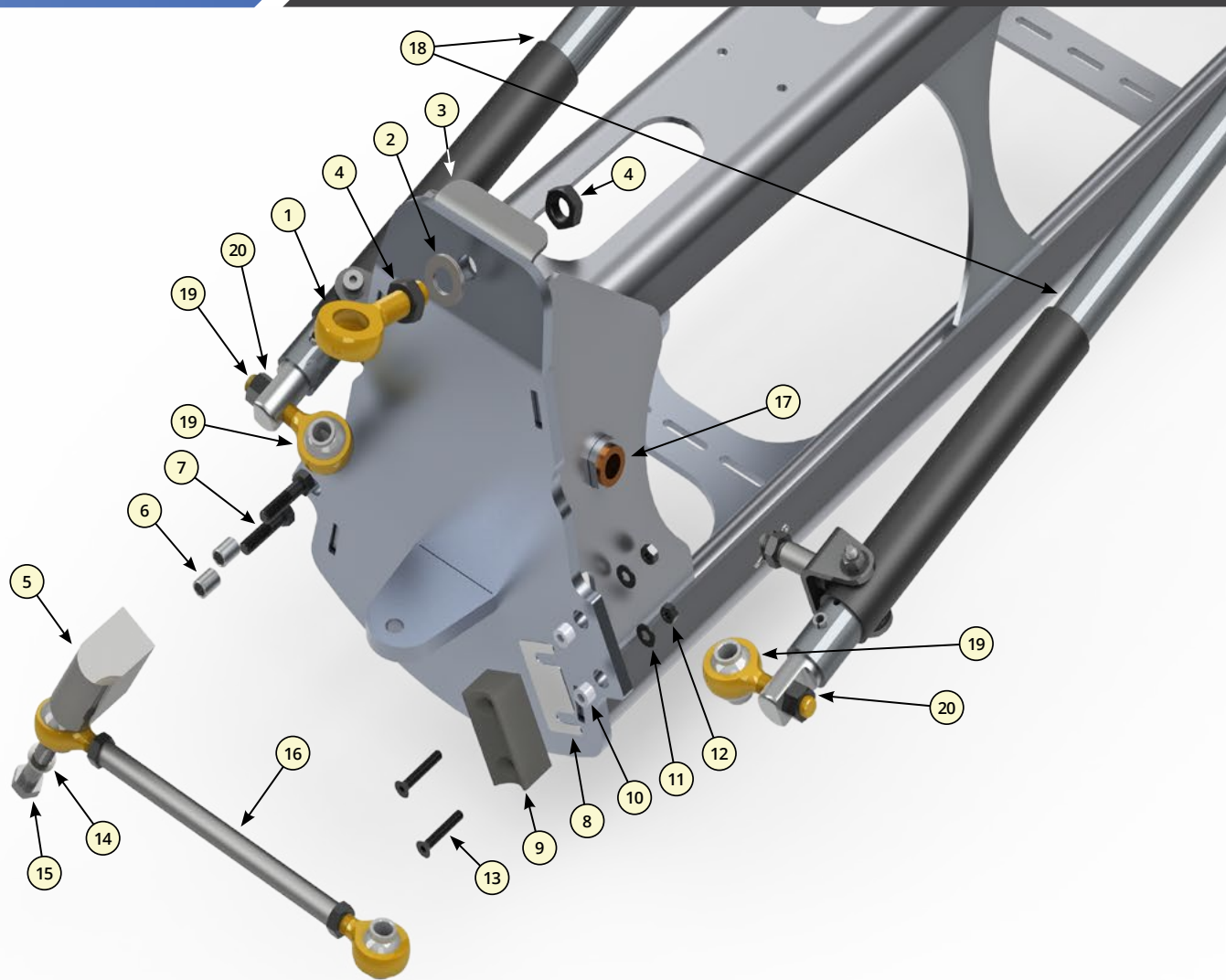



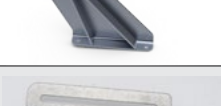









Figure 3.21 - Breakaway damper (exploded view)

Ref #	Part #	Description	Qty
1	101797	ROD END, UPPER BALL JOINT	1
2	101761-06	WASHER, NORD-LOCK 5/8SP	1
3	102933	BRACKET, PIVOT SPRT	1
4	101758-07	JAM NUT 5/8-18	2
5	101792	BLOCK, LWR PIVOT MTG	1
6	101796	DOWEL, ALIGNMENT	2
7	101772-02	FHCS 3/8-16X1.25 G8	2
8	101799	SHIM, STOP BLOCK	1
9	101793	BLOCK, STOP	1
10	101850	SPACER, .50 X .25 X .31 NY	2
11	101754-01	WASHER, PLAIN 1/4	2
12	102370-02	NYLOCK NUT 1/2-20 SS	2
13	101765-05	FHTMS .25-20 X 2.0	2
14	101760-05	WASHER, NORD-LOCK 1/2	1
15	101751-08	CAPSCREW .50-13 X 2.25 G8	1
16	101856	LINK ASSY, HINGE	1
17	101857	BEARING, FLANGED SLEEVE	4
18	103578	DAMPER ASSY	2
19	101798	ROD END, LWR BALL JOINT	2
20	101861-05	JAM NUT 1/2-20 UNF-2B	2

4.1 - BRACKETRY

<i>Img</i>	<i>Part #</i>	<i>Description</i>
	100308 REV B	PLUMBING TAB, SINGLE BEND
	100308 REV C	PLUMBING TAB, MULTIPLE BEND
	104167	RAVEN XRT BRACKET, PAINTED OR ALUM
	101250	RAVEN SINGLE VALVE MOUNTING BRACKET, PAINTED OR ALUM
	AB459-T	HEIGHT SENSOR BRACKET
	101175	RAVEN AUTOBOOM HEIGHT SENSOR BRACKET, LH
	101176	RAVEN AUTOBOOM HEIGHT SENSOR BRACKET, RH
	AB234	JD HEIGHT SENSOR BRACKET
	AB132	JD HEIGHT SENSOR BRACKET
	NB104	NORAC HEIGHT SENSOR BRACKET
	104574-01	BANJO VALVE MOUNTING BRACKET
	101969	VALVE MOUNTING BRACKET
	101959	VALVE MOUNTING BRACKET
	101174	VALVE MOUNTING BRACKET
	101173	VALVE MOUNTING BRACKET

<i>Img</i>	<i>Part #</i>	<i>Description</i>
	101249	BRACKET, RAVEN VALVE MOUNTING
	101953	BRACKET, 3 VALVE MOUNTING
	101963	Z BRACKET, SHORT
	101960	Z BRACKET, LONG
	101169	BRACKET, STRAINER MOUNTING
	101170	BRACKET, FENCE ROW NOZZLE
	AB419-T-LH	PLUMBING SHROUD, REMOTE
	AB419-LH	PLUMBING SHROUD, REMOTE
	101166	BRACKET, REMOTE MOUNTING LH
	101161	BRACKET, REMOTE MOUNTING
	AB419-T-RH	PLUMBING SHROUD, REMOTE
	101167	BRACKET, REMOTE MOUNTING RH
	101162	BRACKET, REMOTE MOUNTING RH
	101371	TAB, PLUMBING LH

<i>Img</i>	<i>Part #</i>	<i>Description</i>
	101372	TAB, PLUMBING RH
	102040	BRACKET, PROXY SWITCH MOUNTING LH
	102042	BRACKET, PROX SWITCH ARM MOUNTING
	102041	BRACKET, PROXY SWITCH MOUNTING RH
	AB490-T	CENTER PLUMBING BAR BRACKET
	102038	BRACKET, HOSE LOOM
	102039	BRACKET, HOSE LOOM

Attachment Brackets

<i>Part #</i>	<i>Description</i>
101824	AGCO A/B, C SERIES
101825	AGCO A/B, C SERIES
101993	JD ATTACH BRACKET, R SERIES
101997	JD ATTACH BRACKET, R SERIES
103641	APACHE ATTACH BRACKET
103635	APACHE ATTACH BRACKET
101128	MILLER ATTACH BRACKET
101127	MILLER ATTACH BRACKET
103853	MILLER 2275 ATTACH BRACKET
103852	MILLER 2285 ATTACH BRACKET
103135	HAGIE DELTA ATTACH BRACKET
103136	HAGIE DELTA ATTACH BRACKET
101188	CASE ATTACH BRACKET, FOR 120' ORIGINAL BOOMS
101192	CASE ATTACH BRACKET, FOR 120' ORIGINAL BOOMS
101186	CASE ATTACH BRACKET, FOR 90/100' ORIGINAL BOOMS
101187	CASE ATTACH BRACKET, FOR 90/100' ORIGINAL BOOMS
103823	CASE ATTACH BRACKET, FOR 135 MILLENNIUM BOOMS
103827	CASE ATTACH BRACKET, FOR 135 MILLENNIUM BOOMS

Attachment Pins

<i>Part #</i>	<i>Description</i>
101878	AGCO PIN ASSY AND E RING
103143	HAGIE DELTA PIN

Swing Arms

<i>Part #</i>	<i>Description</i>
103632	APACHE SWING ARM, RH
103631	APACHE SWING ARM, LH
103123	HAGIE SWING ARM
103122	HAGIE SWING ARM, OPP

Miscellaneous Extras

<i>Part #</i>	<i>Description</i>
BLUE LIGHT	BLUE LIGHT TO ILLUMINATE SPRAY PATTERN AT NIGHT
S900003	BREAKAWAY REPAIR KIT
T SHIRT	BLACK T SHIRT, "I LIKE BIG BOOMS" AVAILABLE IN MEN'S L, XL, OR XL OR WOMEN'S M AND L
HOODIE	BLACK HOODIE, "I LIKE BIG BOOMS" AVAILABLE IN MEN'S L, XL, OR XL OR WOMEN'S M AND L
MUD FLAP KIT	KIT INCLUDES MILLENNIUM MUD FLAPS FOR THE PRIMARIES (2) AND FOR THE BREAKAWAYS (2)
SPRING AND CABLE KIT	BOLT ON KIT TO ADD SPRING AND CABLE TO PREVIOUS MODEL YEARS
MILLENNIUM DECAL	LOGO MILLENNIUM DECAL
HINGE SUPPORT KIT	BOLT ON KIT PROVIDES AN EXTRA LAYER OF SUPPORT FOR THE SECONDARY /PRIMARY HINGS
PYTHON STRAP	HOLDS HYDRAULIC HOSE AND PLUMBING HOSE NEAR 8 HOLE PLATE
FENCE ROW KIT	DOES NOT INCLUDE NCV

Center Section Boom Stops

<i>Part #</i>	<i>Description</i>
103551	JD 4830 CENTER SECTION BOOM STOPS
13457-100	CASE CENTER SECTION BOOM STOPS
13457-103	CASE CENTER SECTION BOOM STOPS, REPLACEMENT STEEL PLATE
13457-104	CASE CENTER SECTION BOOM STOPS, TOP STEEL PLATE
104243	CASE CENTER SECTION BOOM STOP SPACER
102143	JD 4045 CENTER SECTION BOOM STOP
104178	CASE DIAG CENTER SECTION BOOM STOP
104172	CASE DIAG CENTER SECTION BOOM STOP
104175	CASE DIAG CENTER SECTION BOOM STOP TOP PLATE
104179	UHMW PLATE ON 104178/104172
104158	RETAINER PLATE IN 13457-100
13457-105	RUBBER, ON 13457-100
101636	CASE BOOM LOCK
101637	CASE BOOMLOCK ARMS
101370	CASE BOOM LOCK PIN
104288-01	AGCO CENTER SECTION BOOM STOP
104288-02	AGCO CENTER SECTION BOOM STOP

Cradles

<i>Part #</i>	<i>Description</i>
103500	AGCO CRADLE
103508	AGCO CRADLE
102006	CRADLE ADAPTER, JD R4045
103620	CRADLE APACHE
104082	CRADLE, HAGIE
104148	CRADLE, NEW HOLLAND SP370
104142	CRADLE, NEW HOLLAND SP370
104199	CRADLE, CASE (3000/4000) SERIES
104207	CRADLE, CASE (3000/4000) SERIES
104088	CRADLE SET TO FIT CASE 5550 SERIES
170130	CRADLE, CASE (4000 WITH A 120 CENTER RACK)
170131	CRADLE, CASE (4000 WITH A 120 CENTER RACK)
101636	CASE BOOM LOCK
101637	CASE BOOMLOCK ARMS
101370	CASE BOOM LOCK PIN

Hydraulics

<i>Part #</i>	<i>Description</i>
104162	STANDARD MILLENNIUM FOLD CYLINDER
104168	CYLINDER, JD 4800 W/ SENSOR PORT
103585	CYLINDER, JD 4800 HEAVY DUTY LIFT
103586	CYLINDER, JD 4800 HEAVY DUTY TILT
103584	CYLINDER, JD 4800 LIFT ASSIST
103923	AGCO ONE TOUCH AUTOFOLD
104159	CNH ONE TOUCH AUTOFOLD
??	DOT ONE TOUCH AUTOFOLD
C749	HAGIE FOLD CYLINDER
C750	HAGIE FOLD CYLINDER
A914	JD FOLD CYLINDER
C669	CYLINDER, JD FOLDING CYLINDER RIGHT
C670	CYLINDER, JD FOLDING CYLINDER LEFT
21457	COMPLETE SEAL KIT FOR 104162, 104159, 103923
1456-1-.25	FLOW VALVE .25
1456-1-.3	FLOW VALVE .3
1456-1-.4	FLOW VALVE .4
1456-1-.5	FLOW VALVE .5
1456-1-.75	FLOW VALVE .75

SMART PART NUMBER CONFIGURATION

2 DIGIT PREFIX

2 DIGIT NOZZLE SPACING

2 DIGIT NOZZLE COUNT

2 OR 3 DIGIT OVERALL LENGTH

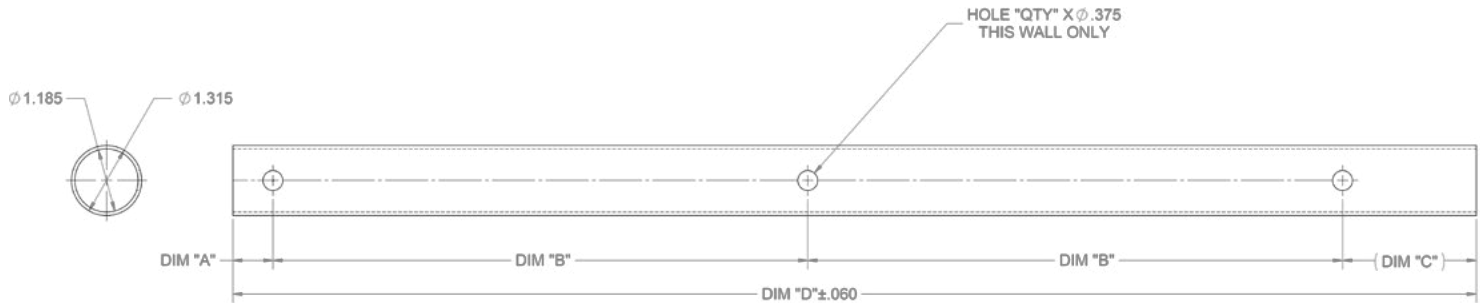
SB (COMMON TO ALL)

15 (15.00" SPACING)

04 (NOZZLE COUNT)

51 (50.75" ROUNDED)

EXAMPLE: PART NUMBER SB150451 IS A 50.75" LONG TUBE WITH 4 HOLES SPACED 15.00" APART.



Part #	Dim A	Dim B	Dim C	Dim D	Hole Qty
SB000108	0.750	0.000	7.00	7.75	1
SB000110	0.750	0.000	9.25	10.00	1
SB000111	0.750	0.000	10.50	11.25	1
SB000112	0.750	0.000	11.75	12.50	1
SB000115	0.750	0.000	14.25	15.00	1
SB100212	0.750	10.000	0.75	11.50	2
SB100213	0.750	10.000	2.50	13.25	2
SB100322	0.750	10.000	0.75	21.50	3
SB100323	0.750	10.000	2.50	23.25	3
SB100432	0.750	10.000	0.75	31.50	4
SB100433	0.750	10.000	2.50	33.25	4
SB100542	0.750	10.000	0.75	41.50	5
SB100543	0.750	10.000	2.50	43.25	5
SB100652	0.750	10.000	0.75	51.50	6
SB100653	0.750	10.000	2.50	53.25	6
SB100762	0.750	10.000	0.75	61.50	7
SB100763	0.750	10.000	2.50	63.25	7
SB100873	0.750	10.000	2.50	73.25	8
SB100983	0.750	10.000	2.50	83.25	9
SB101093	0.750	10.000	2.50	93.25	10
SB1011103	0.750	10.000	2.50	103.25	11
SB1012113	0.750	10.000	2.50	113.25	12
SB150216	0.750	15.000	0.75	16.50	2
SB150221	0.750	15.000	5.00	20.75	2
SB150332	0.750	15.000	0.75	31.50	3

<i>Part #</i>	<i>Dim A</i>	<i>Dim B</i>	<i>Dim C</i>	<i>Dim D</i>	<i>Hole Qty</i>
SB150336	0.750	15.000	5.00	35.75	3
SB150446	0.750	15.000	0.75	46.50	4
SB150451	0.750	15.000	5.00	50.75	4
SB150562	0.750	15.000	0.75	61.50	5
SB150566	0.750	15.000	5.00	65.75	5
SB150676	0.750	15.000	0.75	76.50	6
SB150681	0.750	15.000	5.00	80.75	6
SB150792	0.750	15.000	0.75	91.50	7
SB150796	0.750	15.000	5.00	95.75	7
SB1508106	0.750	15.000	0.75	106.50	8
SB1508111	0.750	15.000	5.00	110.75	8
SB180225	0.750	18.000	6.50	25.25	2
SB180343	0.750	18.000	6.50	43.25	3
SB180461	0.750	18.000	6.50	61.25	4
SB180579	0.750	18.000	6.50	79.25	5
SB180697	0.750	18.000	6.50	97.25	6
SB190220	0.750	19.000	0.75	20.50	2
SB190227	0.750	19.000	7.00	26.75	2
SB190340	0.750	19.000	0.75	39.50	3
SB190346	0.750	19.000	7.00	45.75	3
SB190458	0.750	19.000	0.75	58.50	4
SB190465	0.750	19.000	7.00	64.75	4
SB190578	0.750	19.000	0.75	77.50	5
SB190584	0.750	19.000	7.00	83.75	5
SB1906103	0.750	19.000	7.00	102.75	6
SB200222	0.750	20.000	0.75	21.50	2
SB200228	0.750	20.000	7.50	28.25	2
SB200342	0.750	20.000	0.75	41.50	3
SB200348	0.750	20.000	7.50	48.25	3
SB200462	0.750	20.000	0.75	61.50	4
SB200468	0.750	20.000	7.50	68.25	4
SB200582	0.750	20.000	0.75	81.50	5
SB200588	0.750	20.000	7.50	88.25	5
SB2006102	0.750	20.000	0.75	101.50	6
SB2006108	0.750	20.000	7.50	108.25	6
SB220224	0.750	22.000	0.75	23.50	2
SB220231	0.750	22.000	8.50	31.25	2
SB220346	0.750	22.000	0.75	45.50	3
SB220353	0.750	22.000	8.50	53.25	3
SB220468	0.750	22.000	0.75	67.50	4
SB220475	0.750	22.000	8.50	75.25	4
SB220590	0.750	22.000	0.75	89.50	5
SB220597	0.750	22.000	8.50	97.25	5
SB2206119	0.750	22.000	8.50	119.25	6